

# TECHNICAL DATASHEET



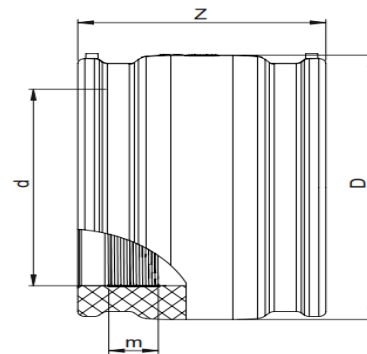
## EF COUPLER

04 Update - 06/2023

### TECHNICAL DATA

|                       |                   |
|-----------------------|-------------------|
| Article No            | 101 117 2160 0500 |
| d<br>(mm)             | 500               |
| D<br>(mm)             | 621               |
| Z<br>(mm)             | 360               |
| m<br>(mm)             | 70                |
| Weight<br>(Kg)        | 27,86             |
| Box Quantity<br>(pcs) | 1                 |
| Box Dimension<br>(cm) | 64x64x36,5        |

### INJECTION MOULDED



### IDENTIFICATION OF PRODUCT

|                |  |
|----------------|--|
| D(mm)          | 500  |
| SDR            | 11   |
| RAW MATERIAL   | PE 100   |
| PRESSURE CLASS | 16 Bar Water 10 Bar Gas  |
| TRADEMARK      | NTG  |
| EXECUTION      | Injection Moulded  |
| STANDARD       | EN 12201-3<br>EN 1555-3<br>AS / NZS 4129                                       |
| SPECIFICATION  | Suitable for SDR11....13,6 pipe<br>4 mm pin connectors<br>Bifilar welding zone |

### EF SPECIFICATION

|                 |                |
|-----------------|----------------|
| WELDING VOLTAGE | 40 V           |
| RESISTANCE      | 0,560 $\Omega$ |
| WELDING TIME    | 1260 Sec.      |
| COOLING TIME    | 45 Min.        |
| WINDING TYPE    | Bifilar        |
| WELDING BARCODE |                |

Tolerance on diameters and thickness according to the standards. The other dimensions are specialized. Tolerance  $\pm 5\%$ . NTG PLASTIK reserves all the right to change any information without giving prior notice. The production, distribution and utilization of this document without explicit authorization is prohibited.